

R320E-SF(B250)

Intel® Independent processor, 1U standard chassis, supporting 6 ethernet and 4 optical ports

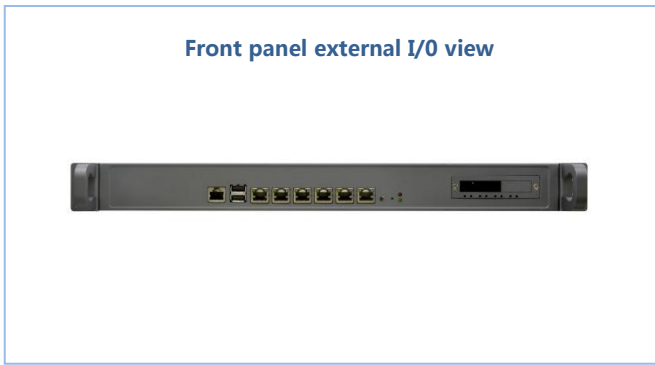
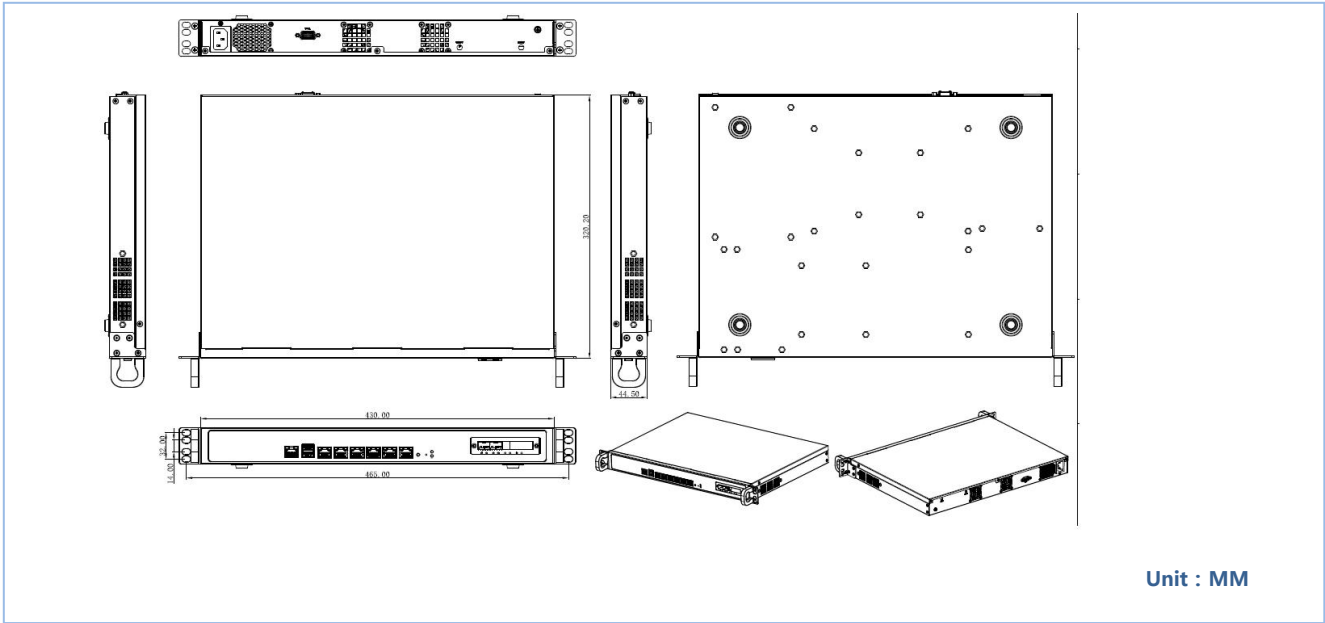


- Intel®LGA1151 6th/7th/8th/9th i3/i5/i7 serialsprocessor
- Intel®B250 chipset
- 2*DDR4 DIMM 2400MHz ,is up to 64GB
- 6 * I211AT gigabit ethernet ports, expandable 4 optical ports or 2 optical ports
- 1*CISCO RS232 serial port
- 2*USB2.0 , 1*VGA
- Expandable 4-port or 2-port optical fiber card
- supports 2* groups BYPASS(optional)
- Standard configuration 1U AC220V ATX power 250W
- 1U standard case, high-quality galvanized steel plate

Model No.	R320E-SF V1.0(B250)	
Chassis	Material/structure	1U standard case, high-quality galvanized steel plate
	Color	Iron grey
	Size (LWH)	430MM*320MM*44.5MM
	Install	1U standard rack
Motherboard	CPU	Supports Intel®LGA1151 6th/7th/8th/9th Celeron/Pentium/Corei3/i5/i7 series processor
	Chip	Intel B250 chipset
	Display	Intel®HD Graphics
	Memory	2* DDR4 SODIMM memory slots ,supports 2400MHz memory, is up to 64GB
Front panel connector	POWER	1 * Power switch, 1 * Restart switch
	USB	2* USB2.0
	LAN	6* Intel I211AT Gigabit network interfaces , supports Wake on LAN/PXE function(LAN1-4 supports BYPASS , Not loaded by default)
	SFP	4 optical ports or 2 optical ports (extended)
	COM	1* CISCO RS232 serial port
	LED	1 * hard disk indicator, 1 * power indicator
Rear panel connector	Display interface	1*VGA
	Power interface	1*AC power interface
storage	SATA	1 * 3.5 inch hard disk bit or 1 * 2.5 inch hard disk bit
	MSATA	1* MSATA,the transfer rate is up to 6Gbps
expansion	PCIE x8	1* PCIE X8 slot ,scalable Gigabit/10GbE fiber card
	M.2	1* M.2 Key-E slot , supports WiFi moudle
		1* M.2/5G , Key-B , 2242/2252 , supports 5G (with built-in USB2.0 optional)
	MINIPCIE	1* MINIPCIE slot,supports MSATA(TPM-4COM is optional , supports 4 serial ports , BIOS that supports TPM-4COM needs to be refreshed)
OS	Microsoft Windows	Windows 7(without Key)
	Linux	Ubuntu
Power Supply	Power supply type	Built in ATX/1U power supply
	Voltage input	AC 110-220V
	power output	250W

Environment	working temperature	-10℃ ~ 50℃
	Storage temperature	-20℃ ~ 70℃
	relative humidity	5%-95%(Relative humidity, non condensing)
	Working vibration	0.5g rms/5-500HZ/random/operating





Order Information

No.	Model	Processor	MB	Memory	BYPASS	LAN	COM	VGA	USB2.0	SFP	power
1	R320E-SF V1.0(B75)	LGA1155	R67	2*SODDR3	2(optional)	6*1211AT	1	1	2	4/2((optional))	AC 220V
2	R320E-SF V1.0(B250)	LGA1151	R250	2*SODDR4	2(optional)	6*1211AT	1	1	2	4/2(optional)	AC 220V
3	R320E-SF V1.0(7300HQ)	i5-7300HQ/2.5GHz	R730	2*SODDR4	2((optiona)	6*1211AT	1	1	2	4/2((optional))	AC 220V
4	R320E-SF V1.0(6920HQ)	i7-6920HQ/2.9GHz	R730	2*SODDR4	2((optional)	6*1211AT	1	1	2	4/2((optional))	AC 220V
5	R320E-SF V1.0(H570)	LGA1200	R570	2*SODDR4	2((optional)	6*1211AT	1	1	2	4/2((optional))	AC 220V